

10 Metal Puzzles - Green



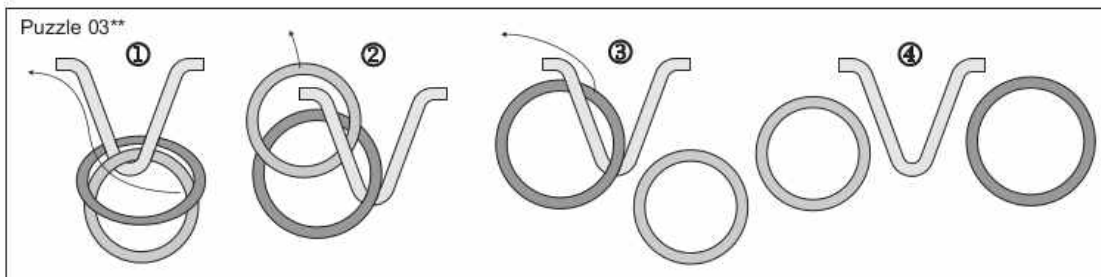
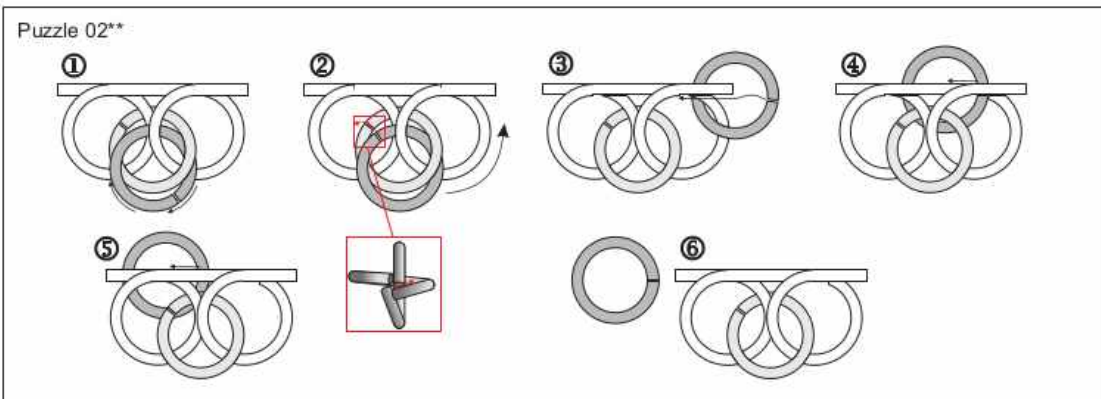
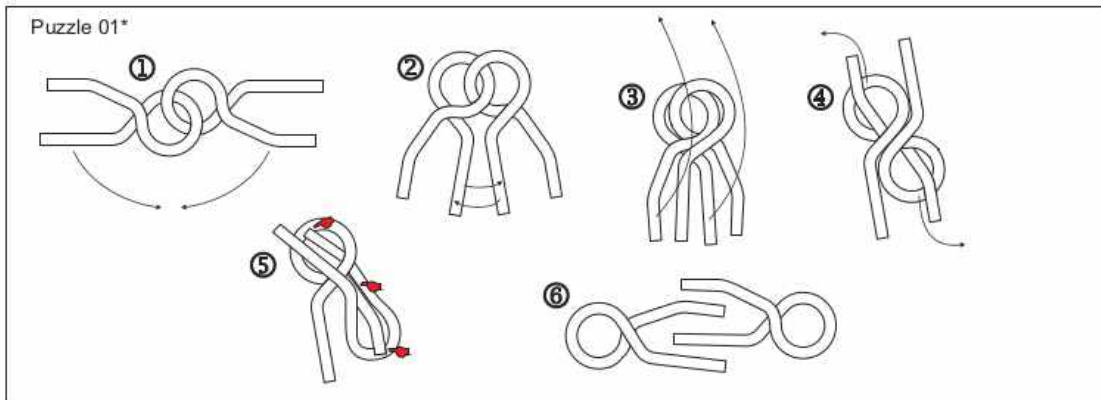
Objective of the Puzzle: Disassemble and reassemble.

Manufacturer: Eureka

Difficulty: Level 6-9 (out of 10)



© Eureka bvba 2015
2800 Mechelen, Belgium
All rights reserved



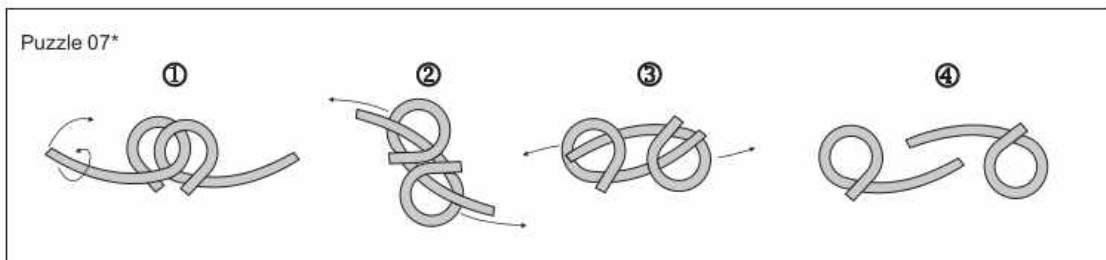
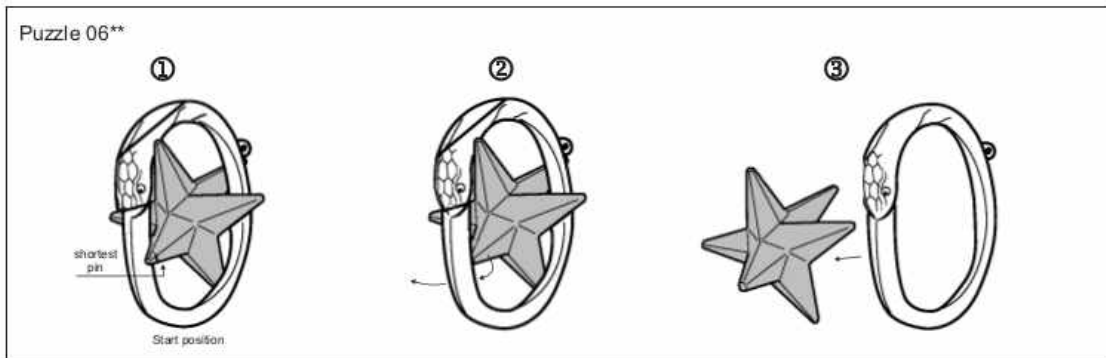
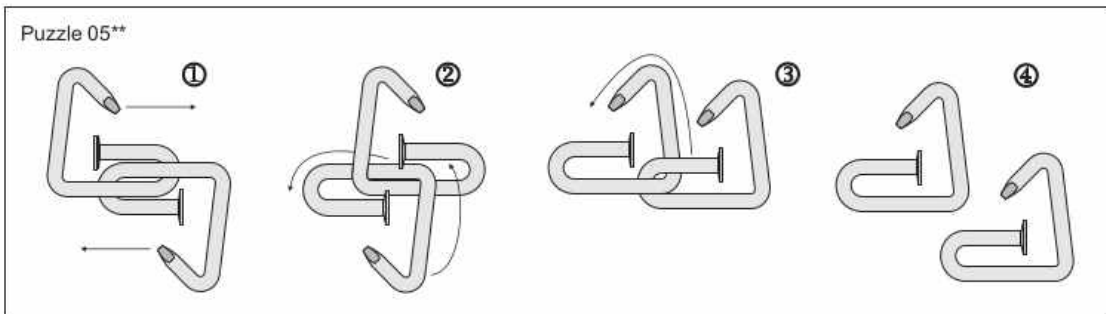
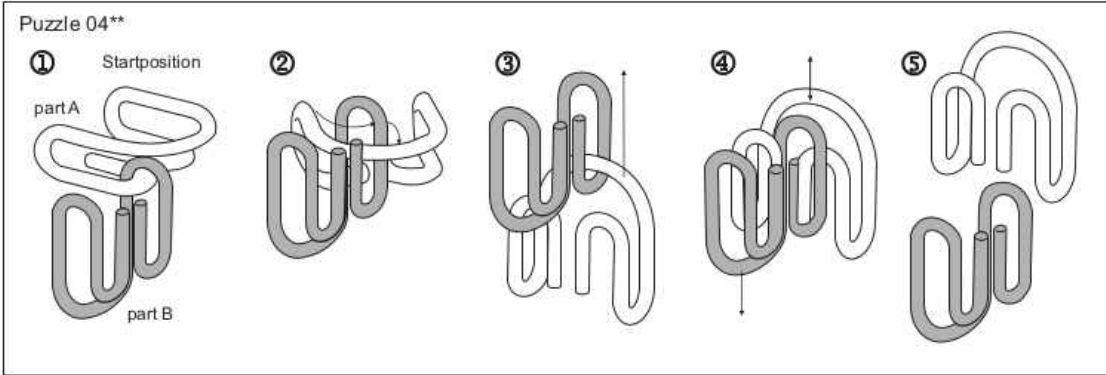
10 Metal Puzzles - Green



Objective of the Puzzle: Disassemble and reassemble.

Manufacturer: Eureka

Difficulty: Level 6-9 (out of 10)



10 Metal Puzzles - Green



Objective of the Puzzle: Disassemble and reassemble.

Manufacturer: Eureka

Difficulty: Level 6-9 (out of 10)

