

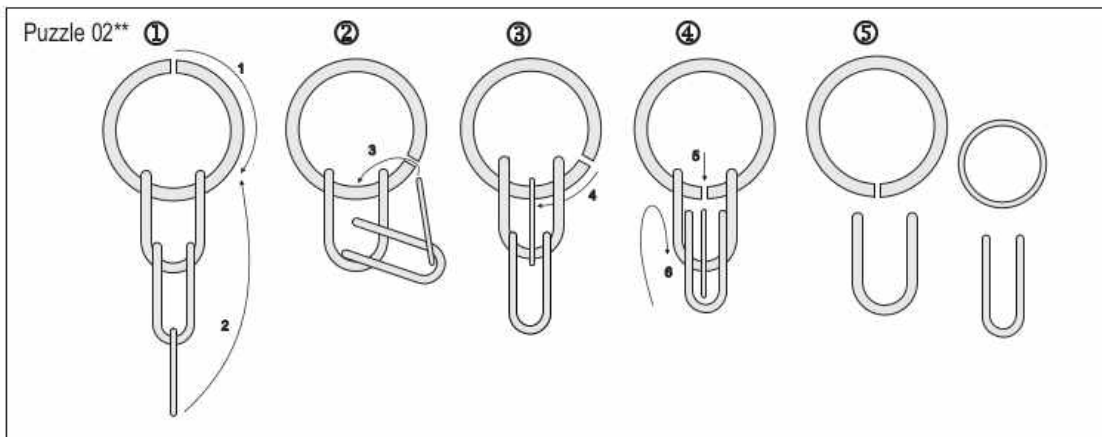
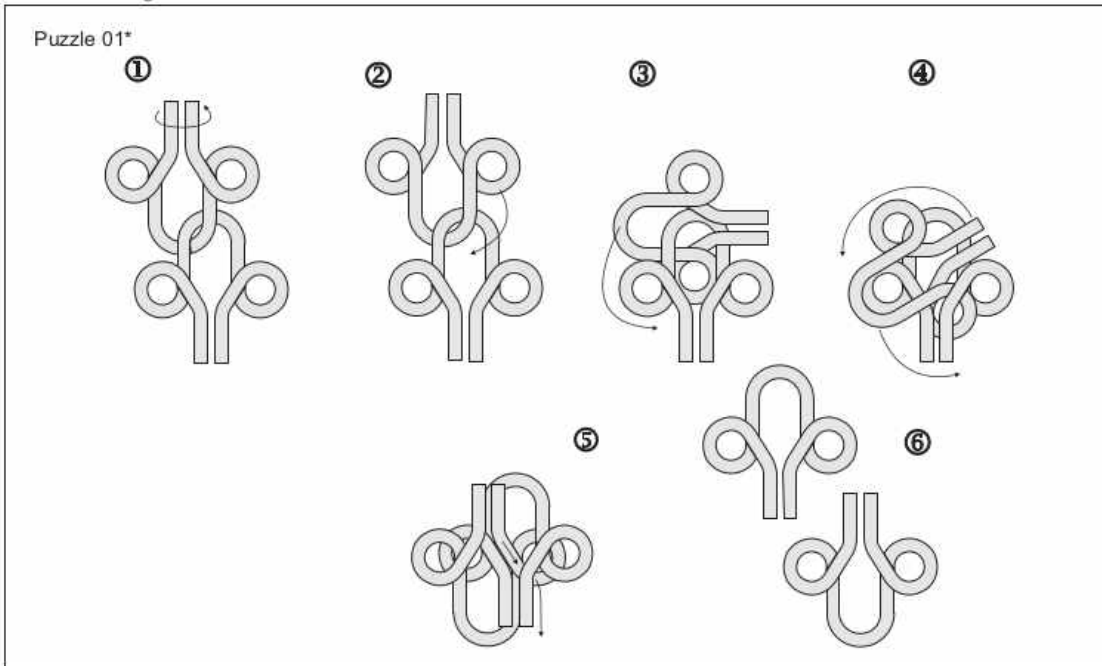
10 Metal Puzzles - Purple



Objective of the Puzzle: Disassemble and reassemble.
Manufacturer: Eureka
Difficulty: Level 6-9 (out of 10)



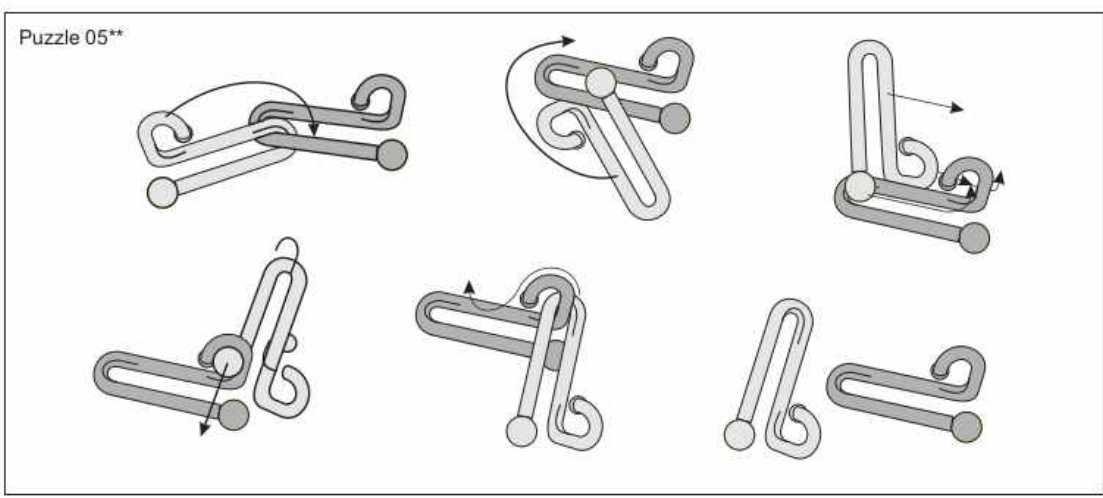
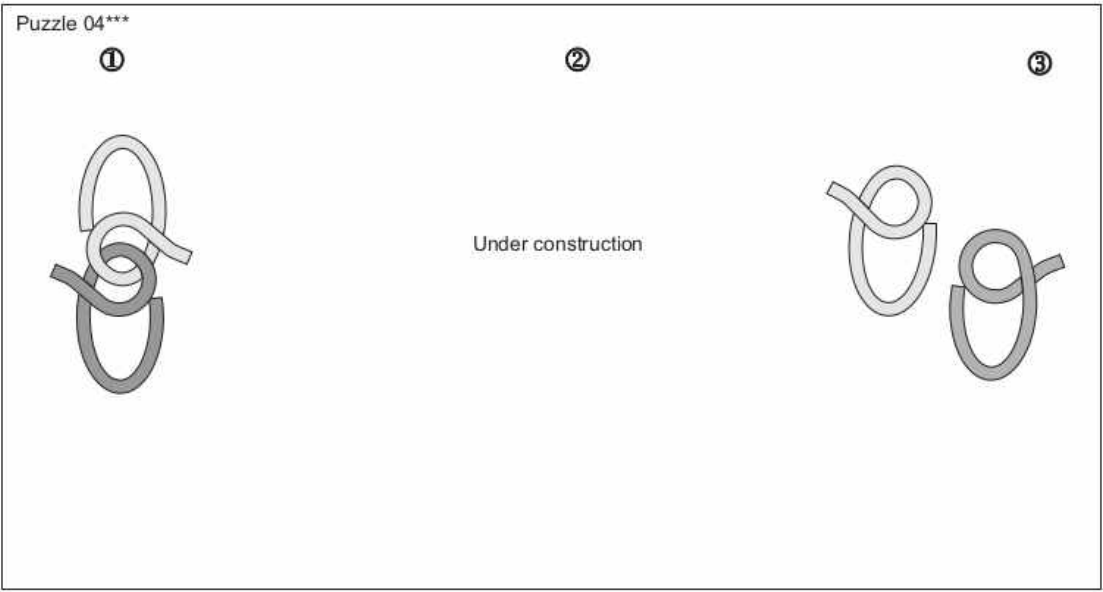
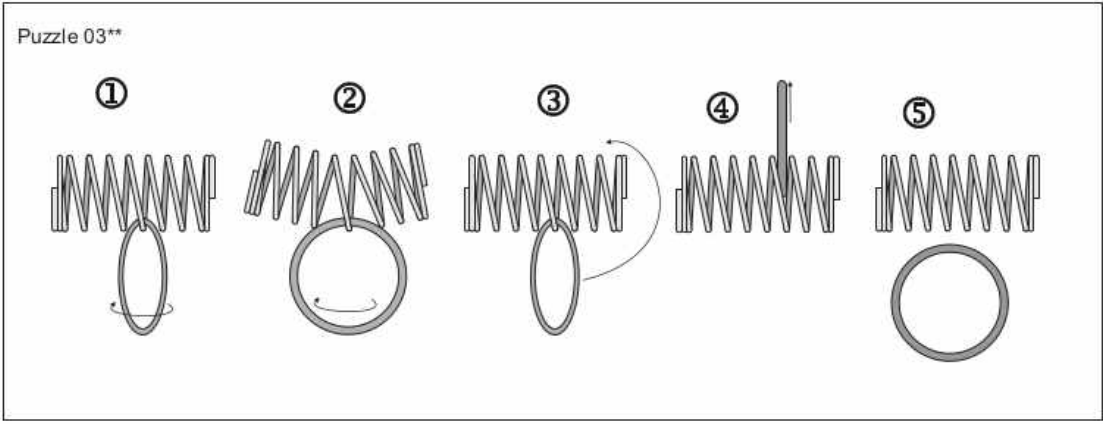
© Eureka bvba 2015
2800 Mechelen, Belgium
All rights reserved



10 Metal Puzzles - Purple



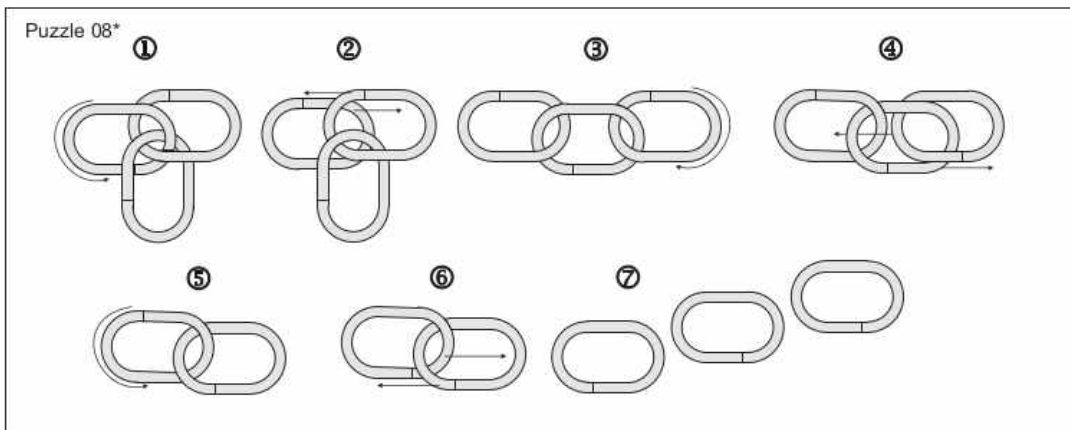
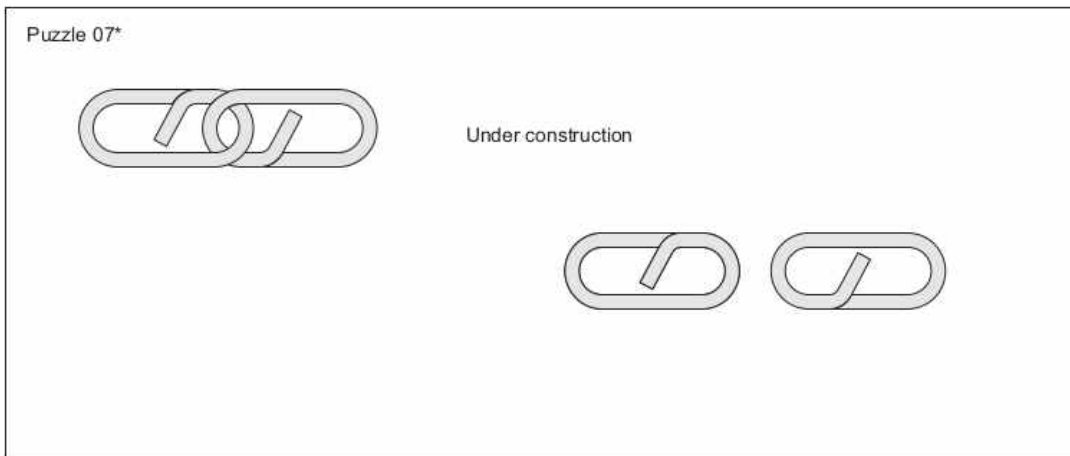
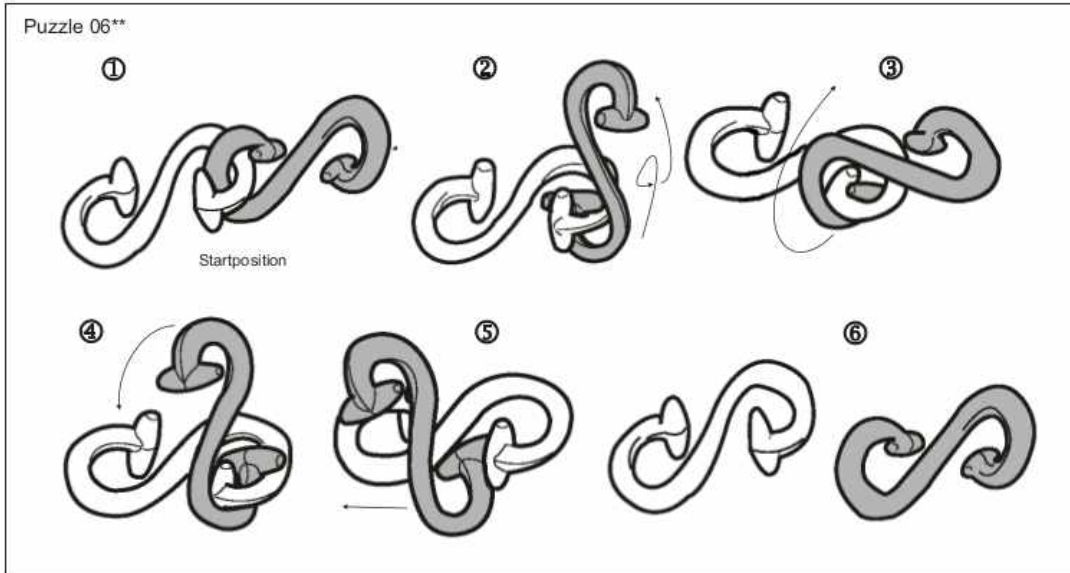
Objective of the Puzzle: Disassemble and reassemble.
Manufacturer: Eureka
Difficulty: Level 6-9 (out of 10)



10 Metal Puzzles - Purple



Objective of the Puzzle: Disassemble and reassemble.
Manufacturer: Eureka
Difficulty: Level 6-9 (out of 10)



10 Metal Puzzles - Purple



Objective of the Puzzle: Disassemble and reassemble.

Manufacturer: Eureka

Difficulty: Level 6-9 (out of 10)

